



DPX³ 1600

Sg electronic release MCCBs from 630 to 1600 A

Type and frame sizes	Amps.	Poles	Cat.Nos	LP* ₹ / Unit	Pack
MCCBs electronic release Sg with energy metering central unit					
DPX ³ 1600 ① Icu = 70 kA	800 A	3 Pole	4224 68	93832	1
	1000 A	3 Pole	4224 69	148390	1
	1250 A	3 Pole	4224 70	170648	1
	1600 A	3 Pole	4224 71	226034	1
	800 A	4 Pole	4224 74	121742	1
	1000 A	4 Pole	4224 75	196898	1
	1250 A	4 Pole	4224 76	225960	1
	1600 A	4 Pole	4224 77	264134	1
DPX ³ 1600 ② Icu = 100 kA	800 A	3 Pole	4224 80	■	1
	1000 A	3 Pole	4224 81	■	1
	1250 A	3 Pole	4224 82	■	1
	800 A	4 Pole	4224 86	■	1
	1000 A	4 Pole	4224 87	■	1
	1250 A	4 Pole	4224 88	■	1

DPX³ magnetic only

motor protection MCCBs up to 400 A

DPX³ 160

DPX ³ 160 ① Icu = 16kA	16 A	3 Pole	4207 10	10792	1
	25 A	3 Pole	4207 11	10792	1
	50 A	3 Pole	4207 12	10792	1
	63 A	3 Pole	4207 13	10792	1
DPX ³ 160 ② Icu = 25kA	16 A	3 Pole	4207 14	11990	1
	25 A	3 Pole	4207 15	11990	1
	50 A	3 Pole	4207 16	11990	1
	63 A	3 Pole	4207 17	11990	1

DPX³ 250

DPX ³ 250 ② Icu = 36 kA	100 A	3 Pole	4207 18	21582	1
	160 A	3 Pole	4207 19	21582	1
	200 A	3 Pole	4207 20	21582	1
	250 A	3 Pole	4207 21	23978	1
DPX ³ 250 ③ Icu = 25 kA	100 A	3 Pole	4207 22	19182	1
	160 A	3 Pole	4207 23	19182	1
	200 A	3 Pole	4207 24	20384	1
	250 A	3 Pole	4207 25	21582	1

DPX³-I trip-free switches

160 to 1600 A

Trip free switches

DPX ³ -I 160 ①	160 A	3 Pole	4201 98	11226	1
	160 A	4 Pole	4201 99	14090	1
	160 A	4 Pole with elm	4201 97	41798	1

■ Price available on request.

*LP -List Price Inclusive of excise duty but exclusive of sales tax or any other taxes.

DPX³-I trip-free switches

160 to 1600 A

Type and frame sizes	Amps.	Poles	Cat.Nos	LP* ₹ / Unit	Pack
Trip free switches					
DPX ³ -I 250 ②	250 A	3 Pole	4202 99	23942	1
	250 A	4 Pole	4203 00	29052	1
	250 A	4 Pole with elm	4202 98	71762	1
	DPX ³ -I 630 ③	400 A	3 Pole	4222 16	36366
	630 A	3 Pole	4222 17	40756	1
	400 A	4 Pole	4222 18	45772	1
	630 A	4 Pole	4222 19	60610	1
DPX ³ -I 1600 ④	630 A	3 Pole	4224 90	44100	1
	800 A	3 Pole	4224 91	56430	1
	1250 A	3 Pole	4224 92	67194	1
	1600 A	3 Pole	4224 93	87780	1
	630 A	4 Pole	4224 94	54340	1
	800 A	4 Pole	4224 95	71060	1
	1250 A	4 Pole	4224 96	87780	1
	1600 A	4 Pole	4224 97	123310	1



4202 99

DPX³ 160

equipment and mounting accessories

Cat.Nos	Description	LP* ₹ / Unit	Pack
---------	-------------	--------------	------

Equipment for plug-in version

4210 40	For DPX ³ 160 - 3P	27010	1
4210 41	For DPX ³ 160 - 4P	36206	1
	with or without earth leakage module		
4210 44	Set of connectors for auxiliary contacts	10748	1
4210 45	Key barrel and flat key for Padlocks	23970	1
4210 46	Key barrel and star key for Padlocks	21706	1
4210 47	Padlock accessory	6662	1



4210 40

Connection accessories

4210 26	Set of 3 terminals for High capacity cage terminals	5710	1
4210 27	Set of 4 terminals for High capacity cage terminals	7546	1
4210 70	Set of 3 insulated shields	124	1
4210 28	Set of 3 terminals Screw terminals for copper bars connection	648	1
4210 29	Set of 4 terminals Screw terminals for copper bars connection	776	1
6250 02	Set of 3 spreaders for DPX ³ 160 3P	346	1
6250 06	Set of 4 spreaders for DPX ³ 160 4P	772	1

Bold Cat.Nos are products normally available with Legrand (India) Stockists. Cat.Nos that are not bold - delivery within 4 - 8 weeks from the date of order. Bold packing quantity is our mandatory packing. Orders to be placed by Legrand (India) Stockist in multiples of the same.

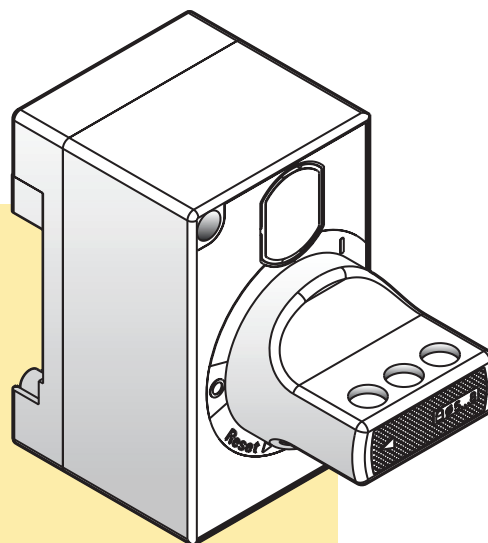
DPX³ MCCB
selection chart

	DPX ³	DPX ³ 160	DPX ³ 250	DPX ³ 630	DPX ³ 1600			
	Ratings	upto 160 A	40 A - 250 A	250 - 630 A	800 A	1000 A	1250 A	1600 A
Rotary Handles	Direct	4201 60	4201 62	0262 61				
	Vary Depth	4201 61	4201 63	0262 83				
Motor Operator	Side	24-230 V	230 22	-	-	-	-	-
		24 V	206 80	0261 40	0261 24			
	48 V	0261 41		0261 25				
	Front	110 V			0261 26			
		230 V			0261 23			
		230 V F			0261 54			
Aux Contacts	1 NO + 1NC for RoH	4210 10	-	-	-	-	-	
	Fault Signalling / ON-OFF	4210 11						
Shunt Release	12 V	4210 12	-	-	-	-	-	
	24 V	4210 13	4222 39					
	48 V	4210 14	4222 40					
	110-130 V / 110 V	4210 15	4222 41					
	200-277 V / 230 V	4210 16	4222 42					
	380-480 V / 400 V	4210 17	4222 43					
UV Release	12 V	4210 18	-	-	-	-	-	
	24V DC	-	-	-	4222 44			
	24 V	4210 19	4222 45					
	48 V	4210 20	4222 46					
	110-130 V / 110 V	4210 21	4222 47					
	200-240 V / 230 V	4210 22	4222 48					
	277 V	4210 23	-	-	-	-	-	
	380-415 V / 400 V	4210 24	4222 49					
Spreaders	440-480 V	421025	-	-	-	-	-	
	3P	6250 02	6250 14	6250 04	4226 24	0262 73		
	4P	6250 06	6250 18	6250 08	4226 25	0262 74		

DPX³ MCCB

NEW!

Rotary handles



Bold Cat.Nos are products normally available with Legrand (India) Stockists. Cat.Nos that are not bold - delivery within 4 - 8 weeks from the date of order. Bold packing quantity is our mandatory packing. Orders to be placed by Legrand (India) Stockist in multiples of the same.